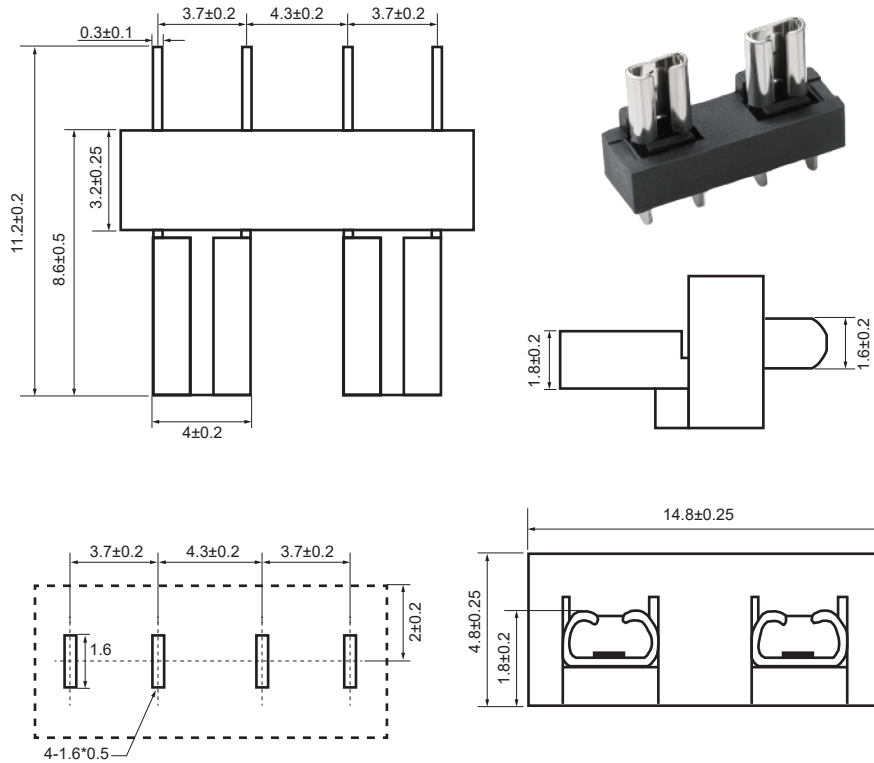


规格 J01000063Z
文件号 A-2024-J01000063Z
版本1
Shape and Size (mm)

Electrical Performance

Model	For Fuse	Rated Ampere	Rated Voltage	Voltage Drop	Insulation Resistance	Di-electronic Strength
J01000063Z	MINI Blade Fuse	20A	250V	< 20mV	> 100mΩ	> 500Vac/60'

Package and Material

Model	Qty	Material
J01000063Z	1000Pcs/Bag	Phosphor Bronze (0.3mm thicknss) Finish: Tin-plated or Nickel-plated Ear or earless type